

**EU DECLARATION OF CONFORMITY**  
**DECLARACIÓN UE DE CONFORMIDAD**The company / *La Empresa:***BASOR ELECTRIC, S.A.**Address / *Dirección:*

Av. Alcodar, 45-47, 46700. Gandía (VLC), Spain.

Declares that the product:

*Declara que el producto:***BASORPLAST MCB**

Installed in accordance to the installation standards, manufacturer's instructions and professional rules, duly maintained and used for the applications as intended.

*Instalado de acuerdo con las normas de instalación, instrucciones del fabricante y conforme a las reglas profesionales, debidamente mantenido y utilizado en las aplicaciones para las que está previsto.*

Complies with the essential requirements of the Council Directives:

*Cumple con los requisitos esenciales de las Directivas del Consejo:***2014/35/UE (Low Voltage Directive) / (Directiva de Baja Tensión)**

Incorporated in the Spanish Legislation in: R.D. 187/2016.

*Incorporado en la Legislación Española en: R.D. 187/2016.*

And it is suitable and safe for the intended use and it is in conformity with the following standard:

*Es adecuado y seguro para el uso a que está destinado y es conforme con la siguiente norma:***UNE EN 50085-1****UNE EN 50085-2-1**

Additional information:

*Información adicional:*

This product is intended to be installed and maintained by skilled persons, it may be used by ordinary persons only as a replacement part, to substitute for an identical device.

*Este producto está previsto para ser instalado y mantenido por un profesional, puede ser usado por una persona no formada para reemplazamiento de uno idéntico.*

Place and date:

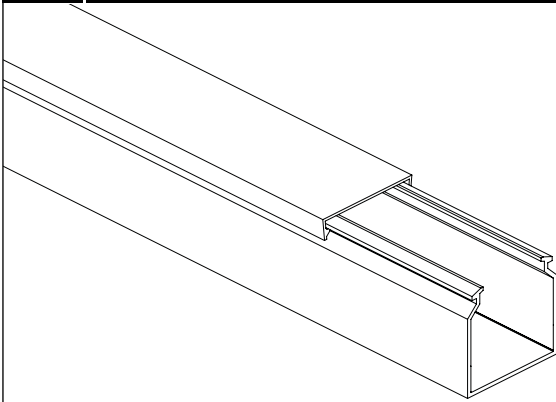
*Lugar y fecha:*

Gandía April 2016

*Gandía Abril 2016*Technical department / *Departamento Técnico*



## MCB



## Models (HxB):

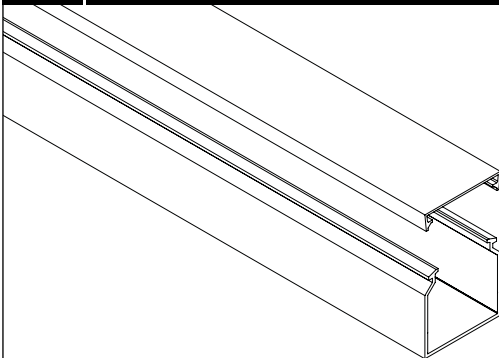
10x22, 10x30, 17x15, 17x25, 17x40, 17x40-2, 17x60-3, 25x40, 40x40, 40x60, 60x60.

## Finishes: PVC M1 RAL 9001

## Characteristics:

- Non metallic system
- Impact strength: 2J (ik07 degree)
- Minimum temperature of storage: -45 °C
- Minimum temperature of installation: -5 °C
- Maximum temperature of 60 °C
- Non-flame propagating component
- Without electrical continuity
- Electrical insulating component.
- Protection degree IP40
- High level of protection against corrosive or polluting substances.
- Access cover can be opened without tools
- M1 fire rating acc. to UNE 23727
- Glow Wire Test 650°C, UNE-EN 60695-2-11
- Flammability UL 94-VO, ANSI/UL 94-1995
- Comply with RoHS, 2011/65/UE
- Raw material without silicone.

## INSTRUCTIONS FOR USE



- The cover is tightened by pressure.
- The accessories (curves, tees, etc.) cover the curves that must be made by cutting the canal on site.

## Accessories:

This family has large array of accessories: Joints cover CBJMCB, Horizontal bend CPMCB, Vertical inside bend CCMCB, Vertical outside bend CXMCB, Derivation TEMCB, end flap TFMCB, Mechanism box 45x45 and 60x67 CMMCB, Mechanism and divider box CDMCB.